



DK Series

48 - 58 HP



DK Series

BRILIANT PERFORMANCE AT THE RIGHT PRICE

The DK Series is fully specified to suit any job that demands a durable compact tractor. Ranging from 48 hp to 58 hp, this series of high-performance compact tractors packs impressive power and smooth handling into one dependable workhorse.

Open Platform Design

Powerful & Rugged

Fuel-Efficient Diesel Engine

HST Cruise & Linked HST (HST)

Wide Selection of Transmission (Manual/H-Shuttle/HST)



EXPERIENCE THE NEW AND POWERFUL DK SERIES



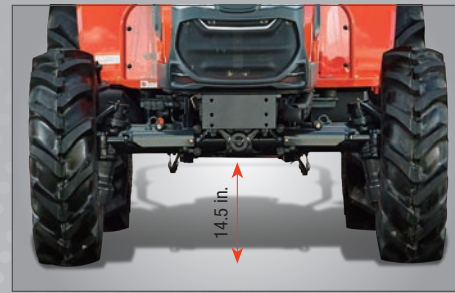
Center Marker

The hood design provides the operator with excellent visibility while the center ridge marker assists with maintaining straight lines during operation.



Fender Grip

Available on each side of ROPS model tractors, these handles provide assistance while getting on and off of the tractor.



High Ground Clearance

The minimum ground clearance of 14.5 in. makes usage on rocky or uneven terrain simpler.

1 Power Steering

The standard power steering minimizes the effort required to make tight, repetitive turns.

2 Deluxe Suspension Seat

The ergonomically designed, adjustable suspension seat allows the operator to ride in comfort.

3 3-Point Control Lever

The 3-point control lever allows you to easily raise and lower the lift arms when attaching implements.

4 Dual HST Pedal (HST Model)

Two-pedal system for HST model with smooth engagement makes it even simpler to drive forward and reverse and to control the speed.

5 Linked HST (HST Model)

When the HST linked pedal is engaged, the HST pedal and the engine rpm are synchronized. This reduces fuel consumption and simplifies tractor operation for a variety of utility and loader applications.



4WD Engagement

The 4WD comes standard on all models and is engaged with an easy access lever.



Illuminated Dashboard

The illuminated dashboard ensures great visibility while working in all lighting conditions.



H-Shuttle (H-Shuttle Model)

H-Shuttle makes your driving much convenient by the front & Rear shuttle controller without engaging the clutch.



Rear Differential Lock

The easily accessible differential lock lever allows for engagement/disengagement of the differential allowing you to maintain traction on uneven or muddy terrain.



Remote Hydraulic Valves

A standard single remote valve (2nd optional) accommodates a wide variety of attachments and implements.



HST Cruise Control (HST Model)

HST cruise system enables the tractor to maintain a steady speed and RPM as set by the operator.



Powerful HST Transmission

DKSeries models each feature a performance proven, heavy-duty HST drive delivering power and efficiency. The three range transmission (Hi/Mid/Low) with twin pedal operation makes your job easier, smoother and safer.



Auto PTO

All models come standard with a selectable manual or automatic PTO option. When the Auto PTO is engaged, the PTO will automatically shut off when the 3-point control is raised, eliminating exposure to the running implements.



Hydraulic Independent PTO

Rear Independent PTO is easily engaged by the simple turn of a knob. A safety interlock prevents the engine from starting if the PTO switch is left on.



SPECIFICATIONS

| MODEL | DK4810 | DK5810 | DK5810HS |
|--|---|---|----------|
| ENGINE | | | |
| Model | 4B243DL-A1 | 4B243DTL-A | |
| Type | 4 Cyl., In-Line Vertical, Water-Cooled 4-Cycle Diesel | 4 Cyl., In-Line Vertical, Water-Cooled 4-Cycle Turbo Diesel | |
| Engine Max | HP 48 | 58 | |
| Engine Gross | HP 45 | 55 | |
| Displacement | cc | 2,435 | |
| Rated Revolution | rpm | 2,600 | |
| Fuel Tank Capacity | ℓ | 45 | |
| DRIVE TRAIN | | | |
| Clutch | Dry Single Plate | | |
| Transmission | Synchronized | H-Shuttle | |
| Speeds | 8F 8R | | |
| Differential Lock | Rear Standard | | |
| Brake | Wet Disc | | |
| PTO | Independent | | |
| Rear PTO (Option) | rpm | 540/750 | |
| HYDRAULIC SYSTEM | | | |
| Pump Capacity (Max. Flow Rate) | lpm | 55.1 | |
| 3-Point Hitch | Category I | | |
| Lift Capacity @Ball (Max.) | kg.f | 1,542 | |
| Lift Capacity @24 in. Behind Lift Points | kg.f | 1,232 | |
| Hydraulic Lift Control System | Position | | |
| No. of Standard Remote Valves | 1 | | |
| AUTO PTO | Std. | | |
| Steering | Hydrostatic Power Steering | | |
| TIRE SIZE | | | |
| AG Tire | Front | 8-16 | |
| | Rear | 13.6-24 | |
| Industrial Tire | Front | 10-16.5 | |
| | Rear | 14.9-24 | |
| Turf Tire | Front | 29×12.00-15 | |
| | Rear | 475 / 65 D20 | |
| TRAVELING SPEEDS (w/ Industrial Tire) | | | |
| Forward | km/h | 2.12-27.3 | |
| Reverse | km/h | 2.06-26.6 | |
| DIMENSIONS | | | |
| Overall Length (Includes 3-pt Hitch) | mm | 3,157 | |
| Overall Width (Minimum Tread) | mm | 1,596 | |
| Overall Height (w/ROPS) | mm | 2,249 | |
| Wheelbase | mm | 1,810 | |
| Min. Ground Clearance | mm | 368 | |
| Tread (Front) | mm | 1,254 | |
| Tread (Rear) | mm | 1,251 | |

* NOTE : Specifications and design are subject to change without notice.

STANDARD EQUIPMENT

- Rear View Mirror
- Parking Brake
- Rubber Mat
- Horn
- Head Lamp
- Signal Lamp
- Rear PTO
- Auto PTO
- Tilt Steering Wheel

OPTIONAL EQUIPMENT

- Front Weight
- Rear Weight
- 7 Pin Socket
- Power Socket
- Front Work Light
- Rear Work Light
- Sun Canopy
- Front Grill Guard
- Quick Type Lower Link
- Clevis Type Drawbar

ATTACHMENTS

- Front End Loader(4 in 1 Bucket)
- Backhoe

SPECIFICATIONS

| MODEL | DK4810H | DK5810H |
|--|---|---|
| ENGINE | | |
| Model | 4B243DHL-A1 | 4B243DTHL-A |
| Type | 4 Cyl., In-Line Vertical, Water-Cooled 4-Cycle Diesel | 4 Cyl., In-Line Vertical, Water-Cooled 4-Cycle Turbo Diesel |
| Engine Max | HP 48 | 58 |
| Engine Gross | HP 45 | 55 |
| Displacement | cc | 2,435 |
| Rated Revolution | rpm | 2,600 |
| Fuel Tank Capacity | ℓ | 48 |
| DRIVE TRAIN | | |
| Transmission | HST | |
| Speeds | 3 Ranges | |
| Differential Lock | Rear Standard | |
| Brake | Wet Disc | |
| PTO | Independent | |
| Rear PTO (Option) | rpm | 540 |
| HYDRAULIC SYSTEM | | |
| Pump Capacity (Max. Flow Rate) | lpm | 62.4 |
| 3-Point Hitch | Category I | |
| Lift Capacity @Ball (Max.) | kg.f | 1,542 |
| Lift Capacity @24 in. Behind Lift Points | kg.f | 1,232 |
| Hydraulic Lift Control System | Position | |
| No. of Standard Remote Valves | 1 | |
| AUTO PTO | Std. | |
| Steering | Hydrostatic Power Steering | |
| TIRE SIZE | | |
| AG Tire | Front | 8-16 |
| | Rear | 13.6-24 |
| Industrial Tire | Front | 10-16.5 |
| | Rear | 14.9-24 |
| Turf Tire | Front | 29×12.00-15 |
| | Rear | 475 / 65 D20 |
| TRAVELING SPEEDS (w/ Industrial Tire) | | |
| Forward | km/h | 0-30.2 |
| Reverse | km/h | 0-21.1 |
| DIMENSIONS | | |
| Overall Length (Includes 3-pt Hitch) | mm | 3,189 |
| Overall Width (Minimum Tread) | mm | 1,730 |
| Overall Height (w/ROPS) | mm | 2,246 |
| Wheelbase | mm | 1,810 |
| Min. Ground Clearance | mm | 368 |
| Tread (Front) | mm | 1,329 |
| Tread (Rear) | mm | 1,342 |

* NOTE : Specifications and design are subject to change without notice.

STANDARD EQUIPMENT

- HST Cruise Control
- HST Linked Pedal
- Rubber Mat
- Rear View Mirror
- Parking Brake
- Horn
- Head Lamp
- Signal Lamp
- Rear PTO
- Auto PTO
- Tilt Steering Wheel

OPTIONAL EQUIPMENT

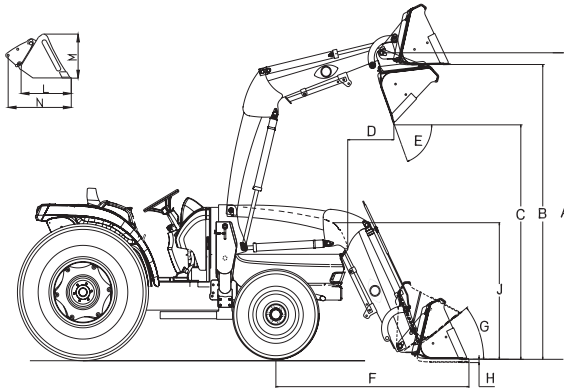
- Front Weight
- Rear Weight
- 7 Pin Socket
- Power Socket
- Front Work Light
- Rear Work Light
- Sun Canopy
- Front Grill Guard
- Quick Type Lower Link
- Clevis Type Drawbar

ATTACHMENTS

- Front End Loader(4 in 1 Bucket)
- Backhoe

Front End Loader

The KIOTI KL5510 front end loader is specifically designed for the DK series tractors, providing efficient performance with single lever joystick control. The KIOTI loader, with a built in parking stand, is designed to be quickly and easily attached and detached. KL Series loaders utilize the tractor's hydraulic system, feature single-lever control with float and come with a bucket level indicator.



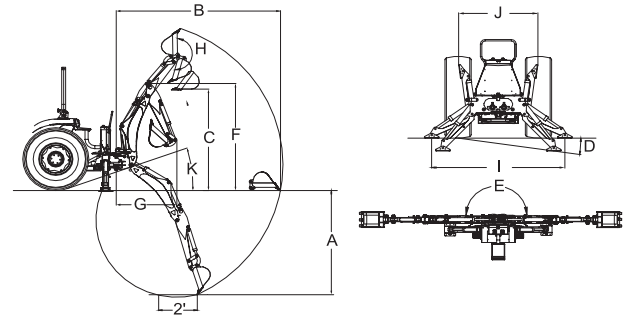
Loader Specifications

| MODEL | KL5510 |
|--|---|
| A Maximum Lift Height | 109 in. (2,768 mm) |
| B Clearance w/ Attachment Level | 96.4 in. (2,449 mm) |
| C Clearance w/ Attachment Dumped | 81.7 in. (2,075 mm) |
| D Reach at Maximum Height (45°) | 18.1 in. (460 mm) |
| E Maximum Dump Angle | 58° |
| F Reach w/ Attachment on Ground | 70.9 in. (1,800 mm) |
| G Maximum Rollback Angle | 38.9° |
| H Digging Depth Below Grade | 9.1 in. (231 mm) |
| J Overall Height in Carry Position | 57.7 in. (1,465 mm) |
| L Depth of Attachment (to Back of Inner Shell) | 21 in. (540 mm) |
| M Height of Attachment | 29 in. (740 mm) |
| N Depth of Attachment (to Pivot Pin) | 31.5 in. (801 mm) |
| S Lift Capacity to Full Height at Pivot Pins | 2,827 lbs. (1,285 kg) |
| T Breakout Force at Pivot Pin | 3,814.8 lbs. (1,734 kg) |
| Lift Cylinders | Ø2.2×10.2 in. (Ø65×463ℓ) |
| Bucket Cylinder | Ø2.4×14.6 in. (Ø60×370ℓ) |
| Bucket Width | 67 in. (1,700 mm) |
| Bucket Weight | 267.3 lbs. (121.5 kg) |
| Approx. Weight (without Bucket) | 1,386 lbs. (58.5 kg) |
| Bucket Capacity (Heaped Bucket Capacity) | 66 in. : 9.5 cu.ft (14.5cu.ft) 72 in. : 10.2 cu.ft (16.0cu.ft) |

* Specifications and design are subject to change without notice.

Backhoe

The KIOTI KB2485 backhoe lets you trench up to 94.4 inches deep with a bucket dig force up to 3,748 pounds. The KB2485 backhoe features subframe mounting, responsive two-lever controls with exceptional feathering, hydraulic stabilizers, transport lock and a variety of standard and heavy-duty buckets.



Backhoe Specifications

| MODEL | KB2485 |
|---|-----------------------|
| A Digging Depth (Two Foot Flat Bottom) | 94.4 in. (2,400 mm) |
| B Reach from Center Line of Swing Pivot | 136.1 in. (3,460 mm) |
| C Loading Height (Bucket at 60°) | 80.3 in. (2,040 mm) |
| D Maximum Leveling Angle | 10° |
| E Swing Arc | 180° |
| F Transport Height (Maximum) | 92.9 in. (2,360 mm) |
| G Transport Overhang | 50.4 in. (1,280 mm) |
| H Bucket Rotation | 180° |
| I Stabilizer Spread (Down Position) | 68.7 in. (1,745 mm) |
| J Stabilizer Spread (Up Position) | 46.4 in. (1,180 mm) |
| K Angle of Departure | 21° |
| Shipping Weight (Without Bucket) | 1,102 lbs. (500 kg) |
| Bucket Digging Force | 3,748 lbs. (1,700 kg) |
| Dipperstick Digging Force | 2,205 lbs. (1,000 kg) |
| Operating Pressure | 2,466 psi (170 bar) |

Cylinders

| Cylinder | Bore DIA | Retracted Length | Stroke | Rod DIA |
|-------------|----------|------------------|--------|---------|
| Boom | 2.75 | 25.04 | 15.20 | 1.57 |
| Bucket | 2.36 | 24.8 | 15.55 | 1.38 |
| Dipperstick | 2.75 | 27.87 | 19.88 | 1.57 |
| Swing | 2.36 | 15.67 | 8.78 | 1.38 |
| Stabilizer | 2.36 | 17.55 | 10.31 | 1.38 |

Buckets

| Bucket | Teeth Quantity | Struck Capacity | Heaped Capacity | Shipping Weight |
|------------|----------------|-----------------|-----------------|-----------------|
| 12" Bucket | 3 | 1.01 cu. ft. | 1.24 cu. ft. | 56 lbs. |
| 18" Bucket | 4 | 1.56 cu. ft. | 2.02 cu. ft. | 70 lbs. |
| 24" Bucket | 5 | 2.11 cu. ft. | 2.82 cu. ft. | 94 lbs. |
| 36" Bucket | 6 | 2.78 cu. ft. | 4.00 cu. ft. | 114 lbs. |

* Specifications and design are subject to change without notice.



Power Farming Wholesale
 86 Thames Street, PO Box 6, Morrinsville
 3300 New Zealand
Tel 07-902-2200 **Fax** 07-902-2201
www.kiotitractors.co.nz

Dealer Imprint Area

LIT-DK-ALL